

LightIR 10-135mm f/3.6, Motorized Continuous Zoom 680451

NEW



MWIR | ZOOM

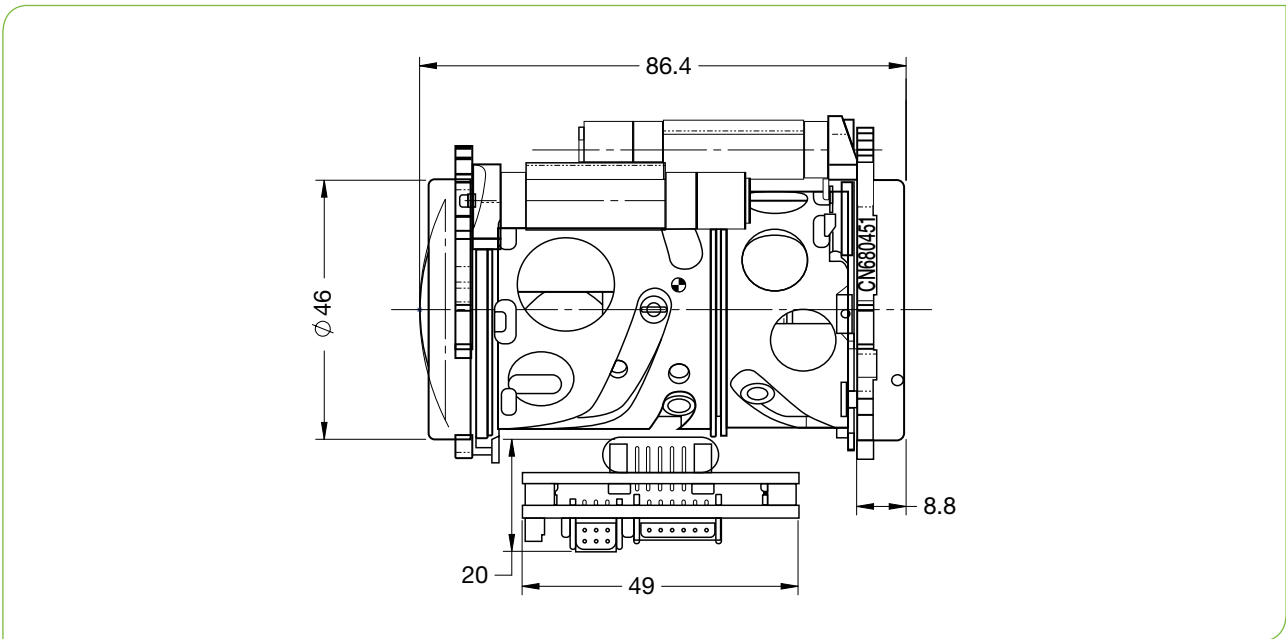
WFOV (10mm)

HFOV	640x512
10 μ	37.0°

NFOV (135mm)

HFOV	640x512
10 μ	2.67°

Property	Value	
Optical	WFOV	NFOV
Focal Length	10mm	135mm
F#	3.6	
Average transmission (3.4-4.2 μ m)	>87% (HD) / \geq 80% (HC)	
Cold stop to FPA Distance	12mm	
Cold stop CA	\varnothing 3.37mm	
Back Focal Length	\geq 17mm in air	
Minimum Focusing Range	5m	50m
Nuc (by defocus)	Blur to 7mm diameter	
Mechanical		
Focus Mechanism	Motorized. Adjustable	
Focus Time (minimum range to ∞)	<1 sec.	
Zoom Time (NFOV to WFOV)	<4 sec.	
Max. Dimensions	\varnothing 46x86.4mm	
Weight	250gr	



MWIR | ZOOM

Property	Value
Electrical	
Lens Control	Designated lens controller
Drive Voltage	12V
Current Consumption	< 0.5A average, 1.0A peak
Communication Protocol	RS422
Environmental	
Operation Temperature	-32°C to +75°C
Storage Temperature	-54°C to +85°C
Sealing	IP67 front lens only
Configurations	
680451-001	High Durability
680451-002	Hard Carbon

* NOTE: The ICD drawing provided here is primarily a representation and may not accurately reflect the product's actual dimensions and specifications. For precise integration specifications contact your local sales representative.