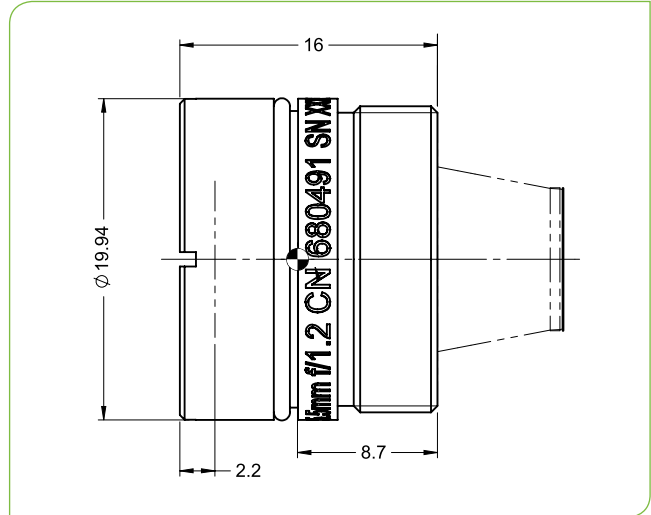


SupIR 5.5mm f/1.2, Fixed Athermalized 680491

TYPICAL ICD*

NEW



HFOV	320x240	384x288	640x512	672x544
17μ	58.7°	71.5°		
12μ	40.7°	49.2°	86.1°	
10μ	33.7°	40.7°	70°	73.9°

Property	Value				
Optical					
Focal Length	5.5mm				
F#	1.2				
Average transmission (8-12μm)	83% (HC)				
Back Focal Length	8.73mm in air				
Mechanical					
Focus Mechanism	Fixed				
Depth of Field	1m to infinity				
Focus Range	0.7m to infinity				
Weight	12.4gr				
Max. Dimensions	Ø19.94mm x 16mm				
Environmental					
Operation Temperature	-40°C to +80°C				
Storage Temperature	-55°C to +85°C				
Sealing	IP 67 front element only				
Configurations	Weight (gr)	Dimensions	BWD**	Thread	Coating
680491-001					HC, MWIR block filter
680491-002	12.4	Ø19.94mm x 16mm	7.8	M19x0.5	HC
680491-003					HD

* The ICD drawing provided here is primarily a representation and may not accurately reflect the product's actual dimensions and specifications. For precise integration specifications contact your local sales representative.

** The BWD value is calculated for a unique detector setup with varying sealing windows in terms of thickness and material. For more details, contact your local sales representative.