

LightIR 18-225mm f/3.6, Motorized Continuous Zoom 680442

NEW



MWIR | ZOOM

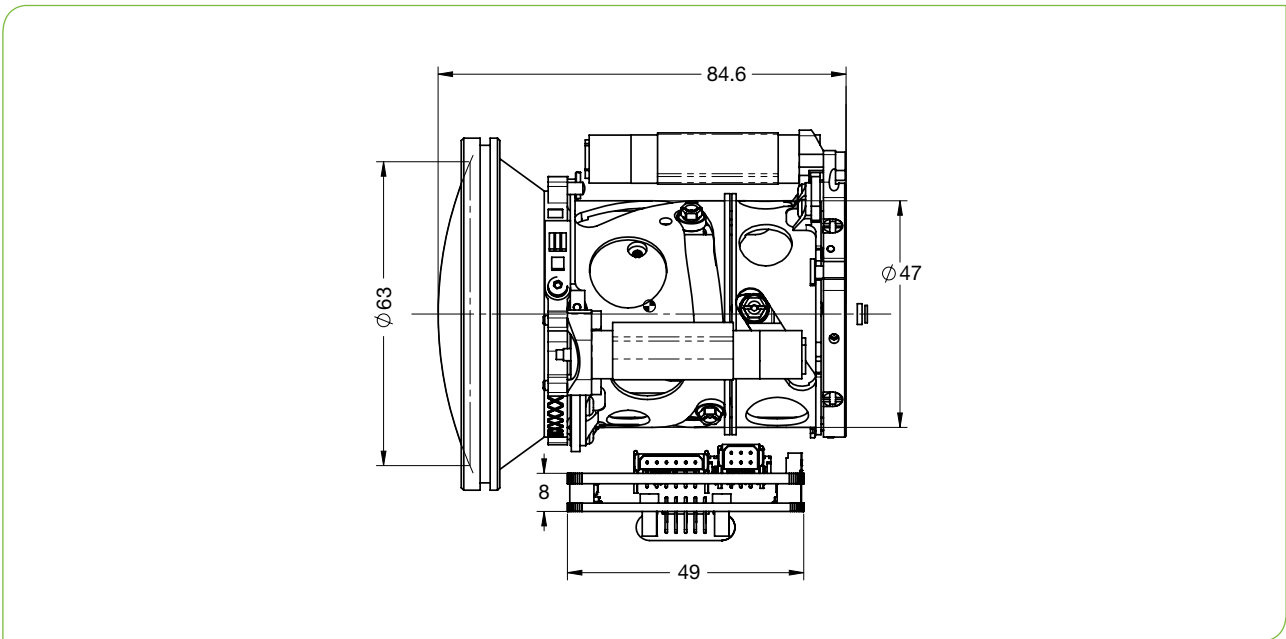
WFOV (18mm)

HFOV	640x512
10 μ	20°

NFOV (225mm)

HFOV	640x512
10 μ	1.6°

Property	Value	
Optical	WFOV	NFOV
Focal Length	18	225
F#	3.6	
Average transmission (3.4-4.2 μ m)	>87% (HD) / \geq 80% (LRHC)	
Cold stop to FPA Distance	12mm	
Cold Stop CA	Ø3.34mm	
Back Focal Length	18.5mm in air	
Minimum Focusing Range	5m	50m
Nuc (by defocus)	Blur to 7mm diameter , Optional: mechanical shutter	
Mechanical		
Focus Mechanism	Motorized. Adjustable	
Focus Time (minimum range to ∞)	<2 sec.	
Zoom Time (NFOV to WFOV)	<5 sec.	
Max. Dimensions	Ø63mm x 84.6mm	
Weight	305gr	



MWIR | ZOOM

Property	Value
Electrical	
Lens Control	Designated lens controller
Drive Voltage	12V
Current Consumption	< 0.5A average, 1.0A peak
Communication Protocol	RS422
Environmental	
Operation Temperature	-32°C to +75°C
Storage Temperature	-54°C to +80°C
Sealing	IP67 front lens only
Configurations	
680442-001	High Durability
680442-002	Low Reflection Hard Carbon

* NOTE: The ICD drawing provided here is primarily a representation and may not accurately reflect the product's actual dimensions and specifications. For precise integration specifications contact your local sales representative.