

## 1.1.2.11 Accessories for High Power Water Cooled Sensors


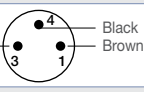
### 1.1.2.11.2 Protective Housing for 5000W, 10K-W and 15K-W Series Sensors

For use with 5000W, 10K-W and 15K-W sensors in industrial environments where sensors may be contaminated by debris from material working process.

The protective housing and shutter prevent contamination of the sensor, particularly the absorbing surface, by this debris. The housing has a solenoid actuated shutter that can be opened when needed for measuring and be closed otherwise. The protective housing is fastened to the front flange of the sensor <sup>(a)</sup>.

Protective Housing for 5000W / 10K-W / 15K-W  
Mounted on Sensor (shutter open)  
Rear view (cables and water connector)

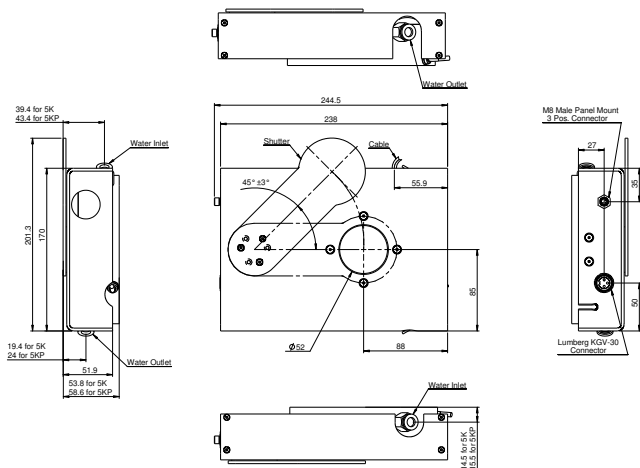


<b>Model</b>	5000W / 10K-W / 15K-W Protective Housing	
<b>Use</b>	Protection from debris of material working process	
<b>Sensors Supported</b>	For 5000W, 10K-W and 15K-W. Needs threaded front flange <sup>(a)</sup>	
<b>Aperture</b>	Exposes full aperture of sensors	
<b>Solenoid Actuating Power</b>	24VDC 1A, Shutter is normally Closed	
<b>Electrical Connection</b>	Lumberg SV30 male connector with 2m cable (P/N 7Z10377) as supplied. Black wire (pin3) is ground, Red wire (pin1) is +24VDC, no wire connected (pin 2)	
<b>Interlock</b>	Interlock switch is open if shutter is closed. This can be used to protect the shutter from accidental exposure to the laser	
<b>Electrical Connection for Interlock</b>	M8-3 Pin male connector (pin 1,4 connected to switch contacts). 1.5m cable (P/N 7E01513A) included, brown and black wires are the switch contacts. Pin 3 - no wire connected	Cable Plug (Female) Not connected 
<b>Dimensions</b>	See drawing below	
<b>Housing Material</b>	Sheet aluminum	
<b>Version</b>	V1	
<b>Part number</b>	7Z08344	

Note: (a) When fitting the housing to previous versions of the above sensors not having the requisite threads on their front flange, it will be necessary to exchange the front flange of the sensor with a new one having the requisite mounting threads. For details, consult Ophir representative.

#### Protective Housing for 5000W, 10K-W and 15K-W

##### As mounted on 5000W



##### As mounted on 10K-W / 15K-W

