

PE50BB

Pulse Energy Measurements 100µJ to 10J, up to 40Hz

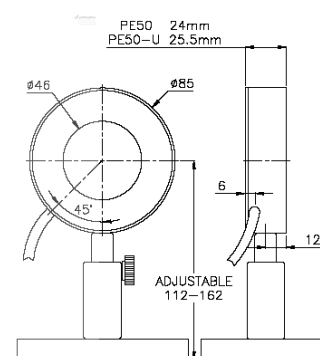
Recommended Use: General use for large aperture pulsed lasers to 10ms and 40Hz

Special Features: Spectrally flat, high damage threshold, very long pulses

Specifications	PE50BB
Spectral Response:	Black absorber 0.15 - 20µm
Surface Reflectivity:	5% approx.
Max Pulse Width Setting:	Short Long
Maximum Pulse Width:	3ms 10ms
Maximum Pulse Rate:	40Hz 10Hz
Energy Scales:	10J to 2mJ 10J to 20mJ
Lowest Measurable Energy:	100µJ 1mJ
Noise on Lowest Range:	15µJ 40µJ
Additional Error with Frequency:	±2% ±2%
Calibration Accuracy:	±3%
Additional Error with Wavelength:	
157nm	N.A.
193nm	±2%
248nm	±2%
355nm	±2%
300-800nm	±2%
1064nm	0
1.5-2µm	±2%
2.94µm	±2%
10.6µm	±5%
Damage Threshold:	
<100ns	0.3J/cm ²
1µs	0.3J/cm ²
300µs	1J/cm ²
2ms	2J/cm ²
Linearity:	±2% for >10% of full scale
Maximum Average Power:	15W
Maximum Average Power Density:	10W/cm ²
Aperture:	Ø46mm
Cooling:	Convection



PE50/PE50BB



PE50BB

END OF LIFE

PE50 Vacuum Flange

PE50 with vacuum flange for DUV measurement at 157nm



Ordering information		
Item	Description	Ophir P/N
PE50BB-V2	46mm aperture pyroelectric energy meter with broadband absorber	1Z02864 / 7Z02864 (RoHS)
PE50-157-V2	KF40 Vacuum flange to replace PE50 front flange. Fits PE50 to vacuum system for measuring vacuum UV 157nm radiation	1Z11018 / 7Z11018 (RoHS)

Rev15/spc/03.03.10/eg

Visit our website: WWW.OPHIROPT.COM