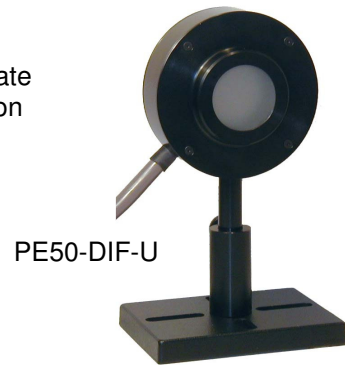


PE50-DIF-U

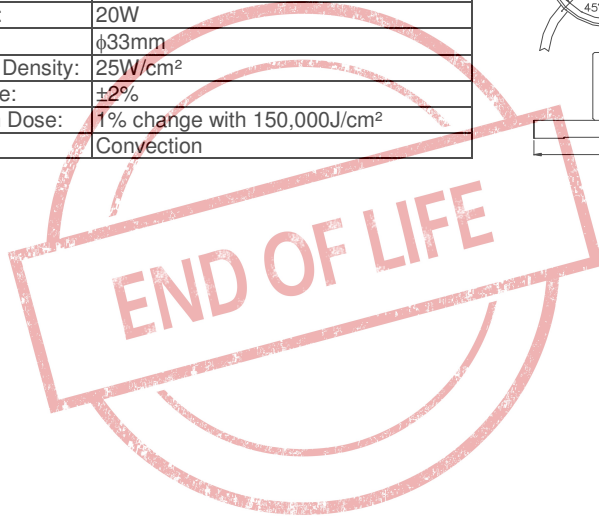
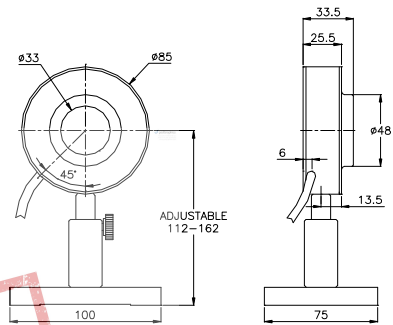
Pulse Energy Measurements 30μJ to 10J, up to 3000Hz

Recommended Use: Q switched lasers especially in the UV
 Special Features: High damage threshold and high repetition rate
 Millions of pulses with no change in calibration

| | |
|-------------------------------------|--|
| Spectral Response: | 0.19 – 2μm |
| Surface Reflectivity: | 25% approx. |
| Maximum Pulse Width: | 30μs |
| Maximum Pulse Rate: | 3000Hz |
| Energy Scales: | 10J / 2J / 200mJ / 20mJ / 2mJ / 200μJ |
| Lowest Measurable Energy: | 30μJ |
| Noise on Lowest Range: | 1.5μJ |
| Additional Error with Frequency: | ± 1% |
| Calibration Accuracy: | ± 3% at calibrated wavelengths |
| Additional Error with Wavelength: | |
| 193nm | 0 |
| 248nm | 0 |
| 351 - 355nm | ±2% |
| 532nm | 0 |
| 1064nm | 0 |
| Damage Threshold for <100ns pulses: | 300mJ/cm ² for <400nm 200mJ/cm ² for >400nm |
| Linearity: | ± 2% for >10% of full scale |
| Maximum Average Power: | 20W |
| Aperture: | φ33mm |
| Maximum Average Power Density: | 25W/cm ² |
| Uniformity over the Surface: | ±2% |
| Change in Calibration with Dose: | 1% change with 150,000J/cm ² |
| Cooling: | Convection |



PE50-DIF-U



| Ordering information | | |
|----------------------|---|--------------------------|
| Item | Description | Ophir P/N |
| PE50-DIF-U-V2 | 33mm aperture pyroelectric head with high damage threshold and high repetition rate for pulsed lasers | 1Z02875 / 7Z02875 (RoHS) |