

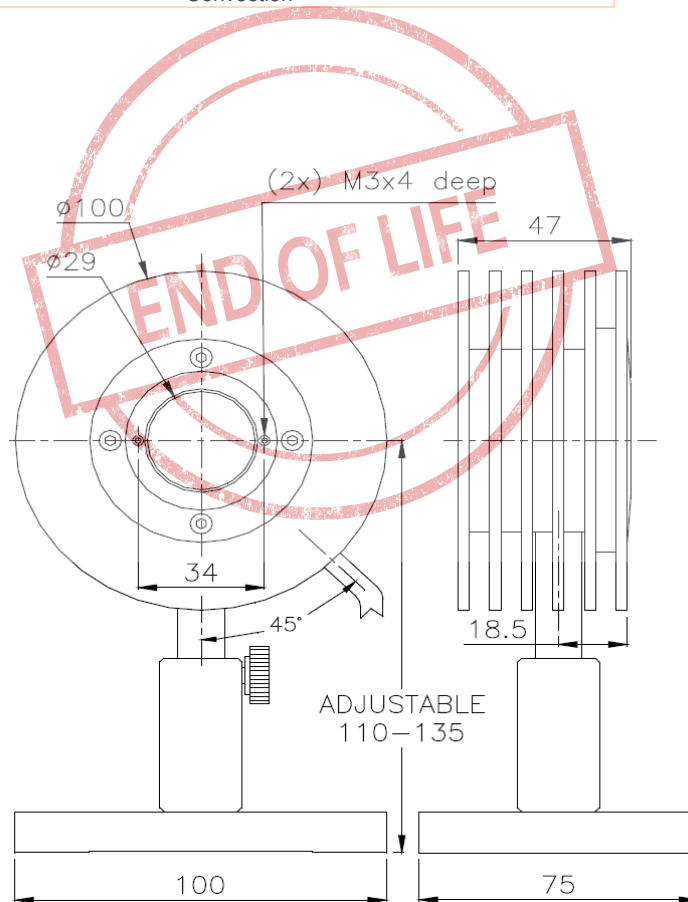
L50A

CW & Pulsed Measurements 80mW –50W 20mJ to 100J

Recommended Use: General purpose to 50W

Special Features: Medium aperture, convection cooled

Absorber:	Broadband: 0.19-20 μ m
Aperture:	ϕ 29mm
Digital Power Scales:	50W / 5W
Maximum Average Power Density:	20KW/cm ²
Power Noise Level:	4mW
Power Accuracy:	\pm 3%
Maximum Energy Density J/cm ² :	
<100ns	0.3
0.5ms	5
2ms	10
10ms	30
Response Time with Display (0 – 95%):	1.5s typ.
Linearity with Power:	\pm 1.5%
Energy Scales:	100J / 30J / 3J / 300mJ
Energy Threshold:	20mJ
Cooling:	Convection



Ordering information		
Item	Description	Ophir P/N
L50A	50 Watt power meter for general use	1Z02606 / 7Z02606 (RoHS)

Rev5/spc/17.6.08/eg

Visit our website: WWW.OPHIROPT.COM

