

F100A-HE

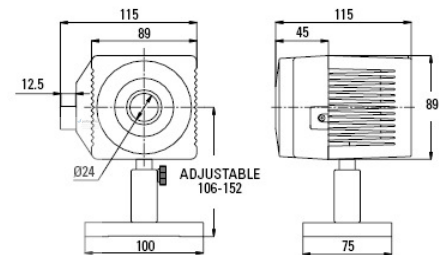
CW & Pulsed Measurements 120mW - 100W 50mJ - 200J

Recommended Use: High energy and average power pulsed lasers
 HE: YAG + harmonics, Holmium, Erbium
 Special Features: High damage threshold for short pulses, high average power



F100A-HE

Absorber:	HE type: 0.19-0.625 μ m, 1.064 μ m, 2.1 μ m, 2.9 μ m	
Aperture:	ϕ 24mm	
Digital Power Scales:	100W / 30W / 3W	
Maximum Average Power Density:	500W/cm ²	
Power Noise Level:	6mW	
Power Accuracy:	\pm 3%	
Maximum Energy Density J/cm ² ^a	Single shot	10-50Hz
<100ns	5	2
0.5ms	100	15
2ms	150	40
Response Time with Display (0-95%):	3.8s typ	
Linearity with Power:	\pm 1%	
Energy Scales:	200J / 50J / 5J	
Energy Threshold:	50mJ	
Cooling:	Fan	
Note a: For shorter wavelengths, derate to values shown:	Wavelength	Derate to value
	355nm	50%
	266nm	50%
	193nm	10%



F150A

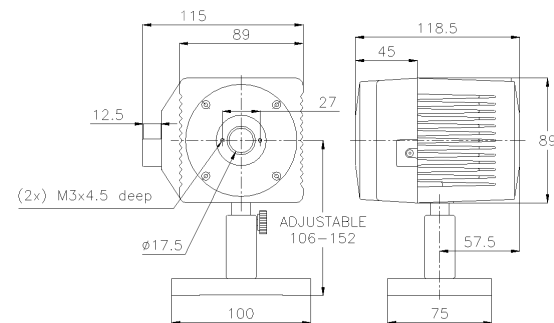
CW & Pulsed Measurements 60mW - 150W 20mJ - 100J

Recommended Use: General use to 150W
 Special Features: Fan cooled



F150A

Absorber:	Broadband, 0.19-20 μ m	
Aperture:	ϕ 17.5mm	
Digital Power Scales:	150W / 30W	
Maximum Average Power Density:	15KW/cm ²	
Power Noise Level:	3mW	
Power Accuracy:	\pm 3%	
Maximum Energy Density J/cm ²		
<100ns	0.3	
0.5ms	5	
2ms	10	
10ms	30	
Response Time with Display (0-95%):	1.2s	
Linearity with Power:	\pm 1%	
Energy Scales:	100J / 30J / 3J	
Energy Threshold:	20mJ	
Cooling:	Fan	



Ordering information

Item	Description	Ophir P/N
F100A-HE	100 Watt power/energy meter for wavelengths 0.19-.625 and 0.9-3 μ m. Energy calibrated for 0.19-0.6 μ m and 2.9 μ m. Fan cooled.	1Z02430 / 7Z02430 (RoHS)
F150A-V1	Fan cooled 150W power/energy meter	1Z02656 / 7Z02656 (RoHS)

Rev5/spc/08.11.07/eq

Visit our website: WWW.OPHIROPT.COM

