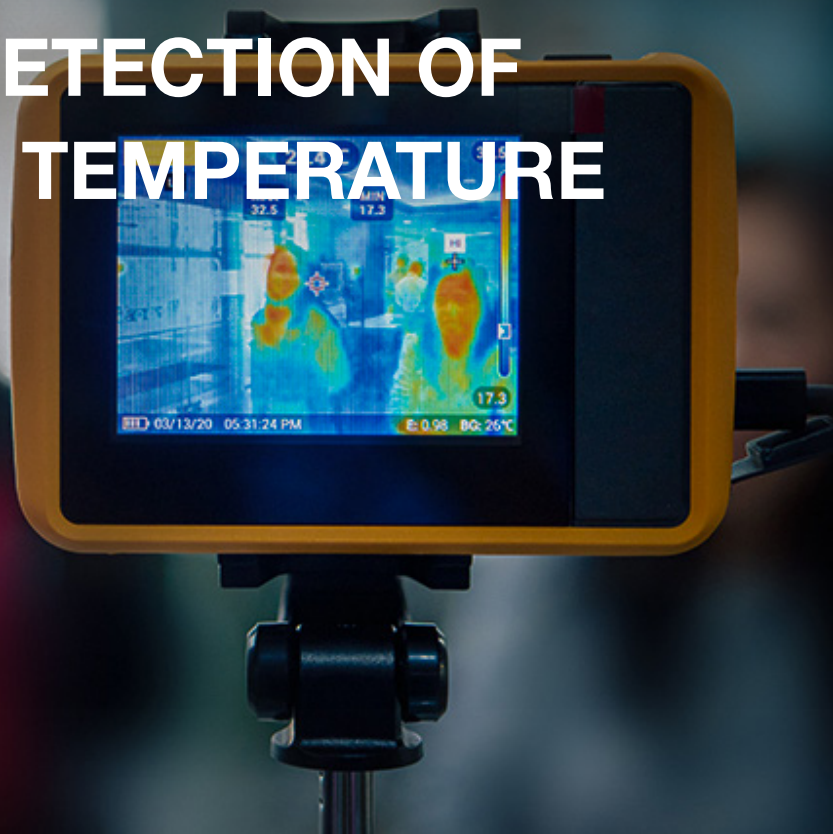


IR LENSES FOR IMMEDIATE AND REMOTE DETECTION OF ELEVATED SKIN TEMPERATURE



Paving the way for a safer back to business

Wide FOV's

Compatible with major LWIR detectors

Large product selection to match any specification

Ideal for high-traffic areas

Detecting elevated skin temperature in high-traffic areas

Public health has become a top priority in our world. Organizations and public venues are at a loss for ways to efficiently protect people from those who may have an infection.

Ophir's infrared thermal imaging lenses help providing a quick, inexpensive, non-invasive solution, surveying crowds and immediately identifying those people with elevated skin temperature who require further investigation.

Ophir's thermal imaging lenses provide temperature readings of a wide audience thanks to wide FOV angles, at the highest precision. These field-proven lenses have been used effectively for the past two decades and were deployed successfully during the SARS and COVID-19 pandemics.

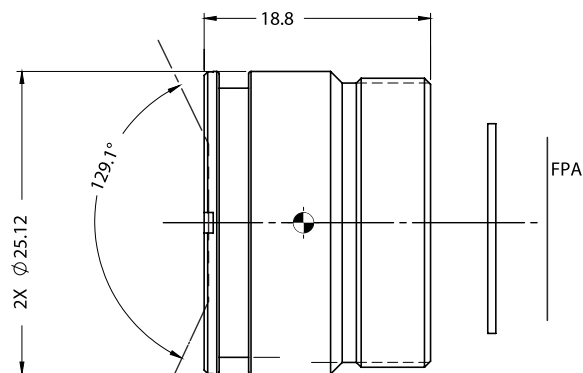
Suitable for crowded public places, such as airports, transportation hubs, shopping centers, business facilities and schools, Ophir's thermal imaging lenses provide a safer, more secure environment for everyone.

Features and benefits

- Ideal for high-traffic areas
- Wide FOV's
- Compatible with major LWIR detectors
- Large product selection to match any specification

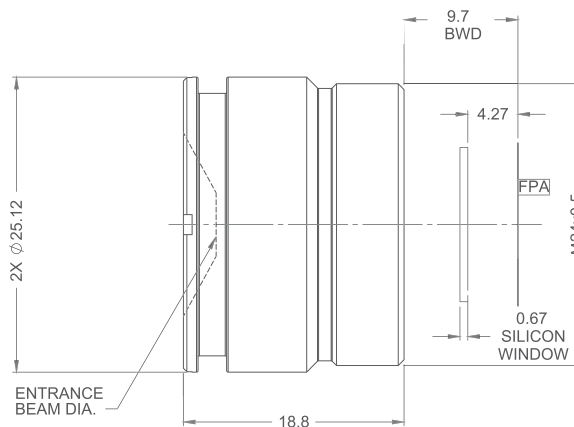
SupIR 7.5mm f/1.2, Fixed Athermalized 680331

NEW



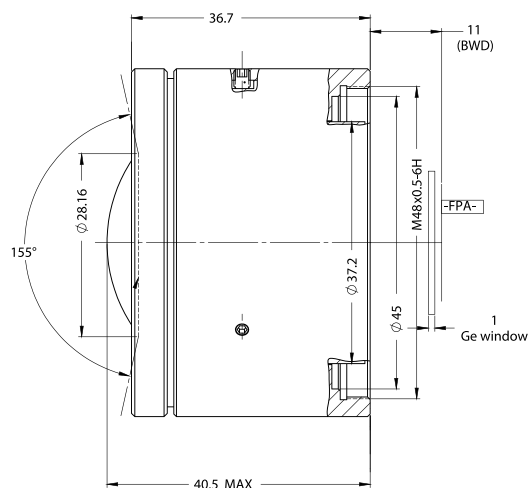
HFOV	160x120	320x240	384x288	640x480	1024x768
25μ	31.0°	63.9°	78.3°		
17μ	21.0°	42.5°	51.4°	90.9°	
12μ	14.8°	29.7°	35.8°	61.1°	106.5°

SupIR 7.5mm f/1.4, Fixed Athermalized 680143



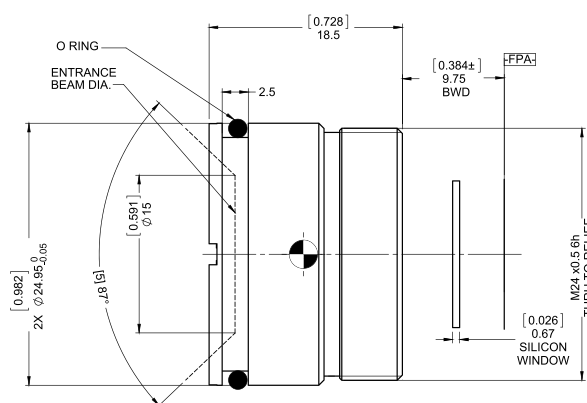
HFOV	160x120	320x240	384x288	640x480
25μ	30.7°	63.4°	77.7°	
17μ	20.8°	42.1°	51.0°	90.2°
12μ	14.7°	29.5°	35.5°	60.6°

SupIR 8.2mm f/1.0, Manual Focus 680092



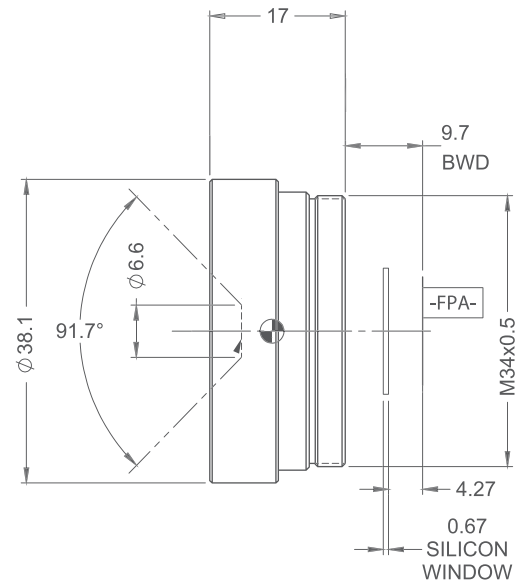
HFOV	160x120	320x240	384x288	640x480	1024x768
25μ	27.7°	55.8°	67.7°	120.0°	
17μ	18.9°	37.7°	45.3°	77.5°	
12μ	13.4°	26.6°	31.9°	53.5°	88.7°

SupIR 8.9mm f/1.4, Radiometric Athermalized 680275



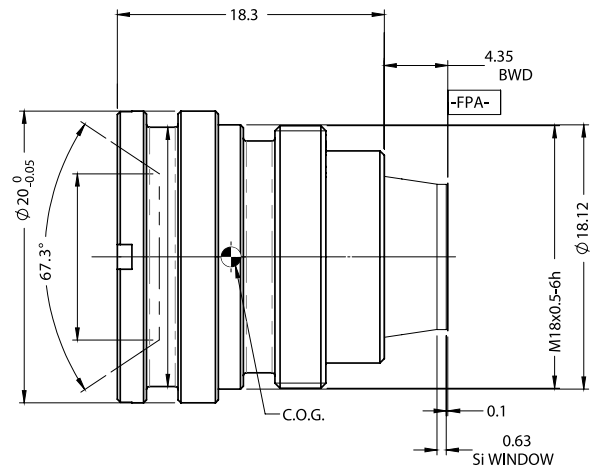
HFOV	160x120	320x240	384x288	640x480
25μ	25.7°	51.1°	61.1°	
17μ	17.5°	34.9°	41.8°	69.0°
12μ	12.1°	24.3°	29.1°	

SupIR 9mm f/1.4, Fixed Athermalized 680258



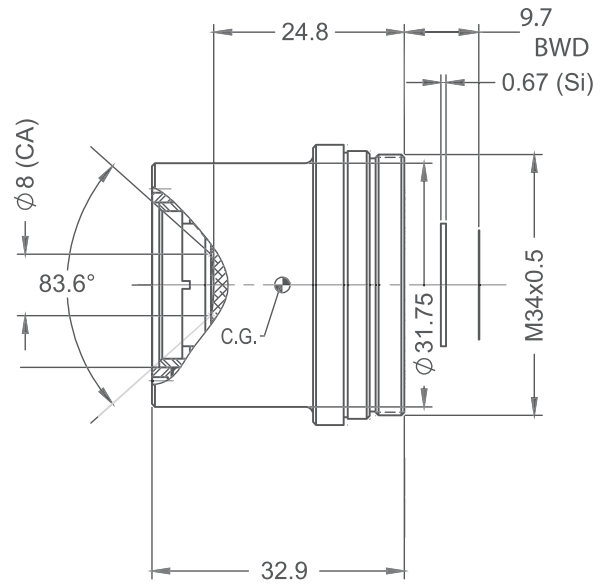
HFOV	160x120	320x240	384x288	640x480	1024x768
25 μ	25.4°	51.4°	62.2°		
17 μ	17.2°	34.6°	41.7°	71.2°	
12 μ	12.1°	24.3°	29.2°	49.3°	81.5°

SupIR 9.2mm f/1.0, Fixed Athermalized 680407



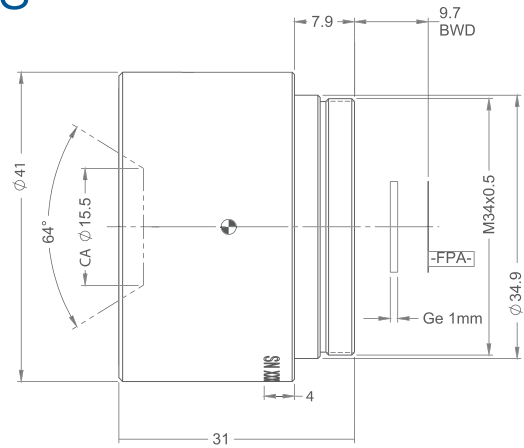
HFOV	160x120	320x240	384x288	640x480	672x544	1024x768
25 μ	25.2°	52.3°	65.1°			
17 μ	17.0°	34.6°	41.9°	77.9°	84.8°	
12 μ	12.0°	24.2°	29.1°	50.0°	52.8°	
10 μ	10.0°	20.1°	24.2°	41.0°	43.2°	71.1°

SupIR 9.8mm f/1.25, Fixed Athermalized 680138



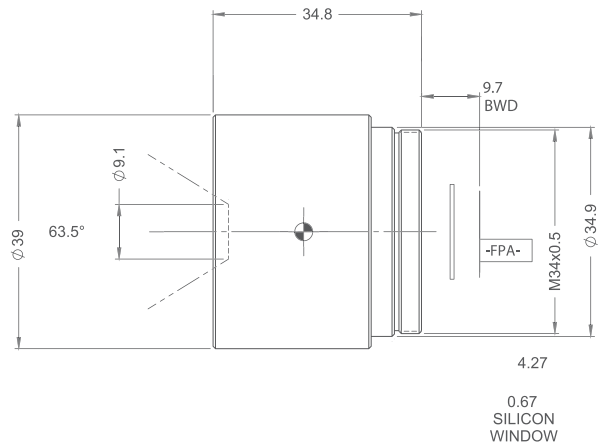
HFOV	160x120	320x240	384x288	640x480	1024x768
25μ	23.2°	46.9°	56.7°		
17μ	15.7°	31.6°	38.0°	64.9°	
12μ	11.1°	22.2°	26.7°	44.9°	74.3°

SupIR 11mm f/1.05, Athermalized Manual Focus 680021



HFOV	160x120	320x240	384x288	640x480
25μ	20.5°	41.4°	50.1°	
17μ	13.9°	27.9°	33.6°	57.3°
12μ	9.8°	19.6°	23.6°	39.7°

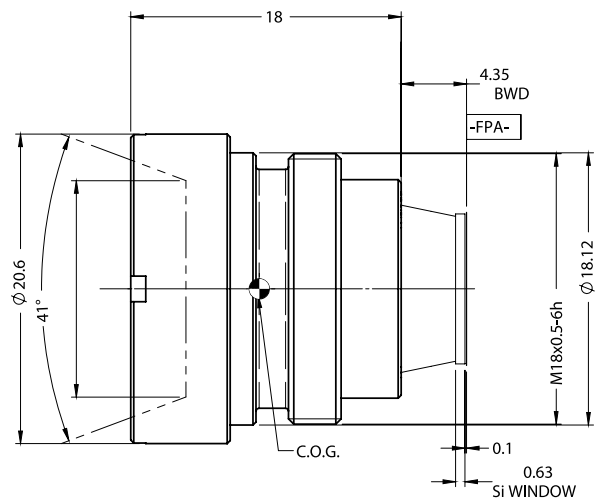
SupIR 12.8mm f/1.4, Fixed Athermalized 680256



HFOV	160x120	320x240	384x288	640x480	1024x768
25μ	18.0°	36.4°	43.9°	76.0°	
17μ	12.2°	24.6°	29.5°	50.0°	
12μ	8.6°	17.3°	20.8°	34.9°	56.8°

SupIR 13.6mm f/1.0, Fixed Athermalized 680412

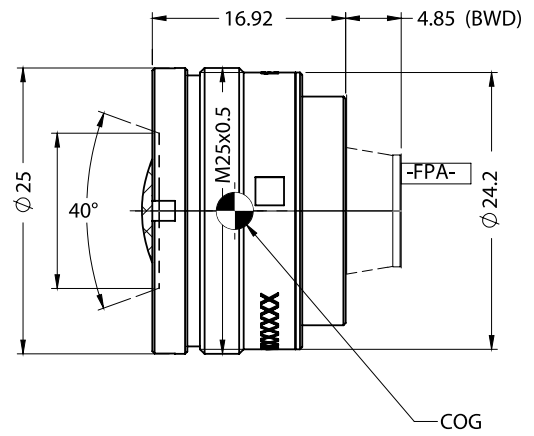
NEW



HFOV	160x120	320x240	384x288	640x480
25μ	16.8°	33.3°	40.0°	
17μ	11.5°	22.8°	27.3°	
12μ	8.1°	16.2°	19.3°	32.0°
10μ	6.8°	13.5°	16.2°	29.8°

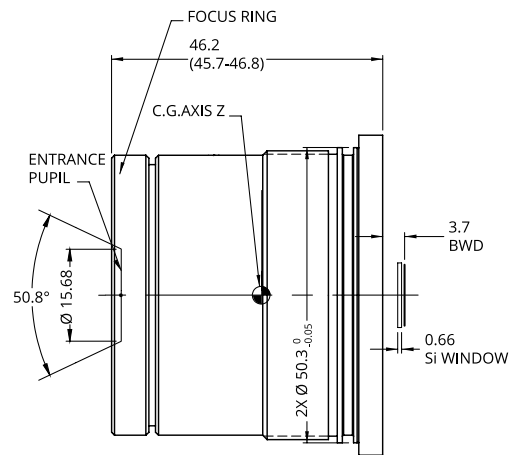
SupIR 13.6mm f/1.1, Fixed Athermalized 680345

NEW



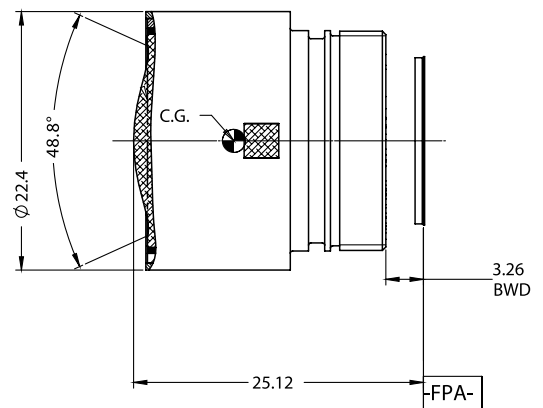
HFOV	160x120	320x240	384x288	640x480	1024x768
25μ	16.8°	33.3°	39.9°		
17μ	11.4°	22.8°	27.2°	45.2°	
12μ	8.1°	19.3°	18.5°	31°	51.1°

SupIR 15.7mm f/1.0, Fixed Athermalized 680228



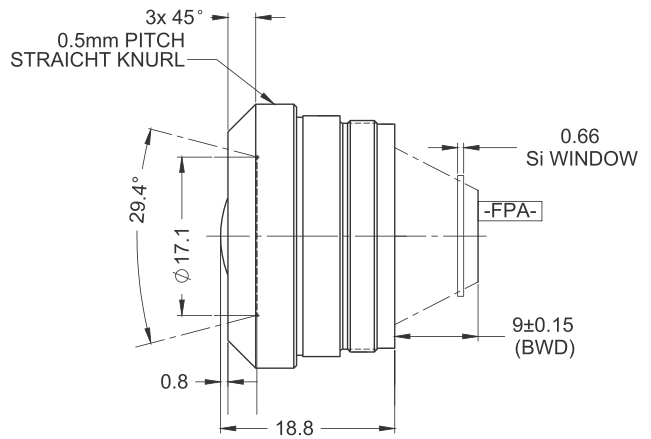
HFOV	160x120	320x240	384x288	640x480	1024x768
25μ	14.6°	29.4°	35.4°		
17μ	9.9°	19.9°	24.0°	40.3°	
12μ	7.0°	14.1°	16.9°	28.2°	45.7°

SupIR 16.7mm f/1.25, Fixed Athermalized 680186



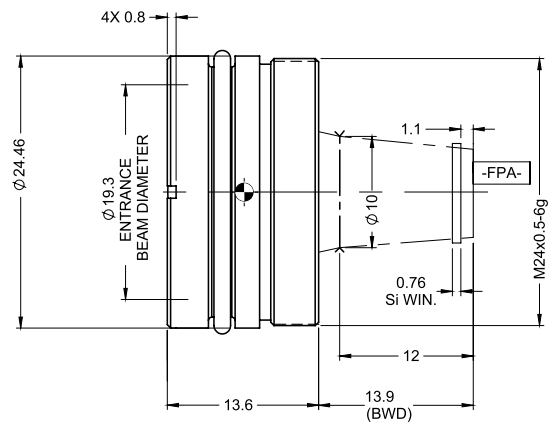
HFOV	160x120	320x240	384x288	640x480	1024x768
25μ	13.7°	27.5°	33.0°		
17μ	9.3°	18.7°	22.4°	37.5°	
12μ	6.6°	13.2°	15.8°	26.4°	42.5°

SupIR 19mm f/1.1, Fixed Athermalized 65221



HFOV	160x120	320x240	384x288	640x480	1024x768
25μ	11.9°	23.6°	28.3°		
17μ	8.1°	16.1°	19.3°	32.1°	
12μ	5.7°	11.4°	13.7°	22.7°	36.3°

SupIR 19.8mm f/1.2, Fixed Athermalized 680312



HFOV	160x120	320x240	384x288	640x480
25μ	11.5°	22.6°		
17μ	7.8°	15.5°	18.6°	
12μ	5.5°	11.0°	13.2°	21.7°

About Ophir IR Optics

With decades worth of knowledge and experience, Ophir Optronics Solutions LTD., Infrared Optics, an MKS Company (NASDAQ: MKSI), is a world-leading designer and manufacturer of high performance IR thermal lenses and optical elements for SWIR, MWIR & LWIR imaging. Using advanced technologies, innovative engineering, and design configurations, Ophir provides a global solution for homeland security, surveillance, automotive and commercial applications: IR Components and complex lens assemblies with fixed or motorized focus and zoom lenses.

International Headquarters Ophir Optronics Solutions Ltd.

Science based industrial park
Har hotzvim P.O.B 45021
Jerusalem, 9145001 Israel
Tel. 972-2-5484444
Fax. 972-2-5822338
E-mail: mktg@ophiropt.com
www.ophiropt.com/infrared-optics

JAPAN Ophir Japan Ltd.

Mitani bldg 3F, 1-9-1 Sakuragi,
Omiya, Saitama-city,
Saitama 330-0854
Japan
Tel. +81-48-650-9966
Fax. +81-48-646-4155
E-mail: optics@ophirjapan.co.jp
[/www.ophiroptics.com](http://www.ophiroptics.com)

USA MKS Instruments Inc.

90 Industrial Way
Wilmington, MA 01887
USA
Tel. 978-296-1306
Mobile. 619-200-4043
E-mail: mktg@ophiropt.com
www.ophiropt.com/infrared-optics

AUSTRALIA AIS (Applied Infrared Sensing)

Level 1, 16-18 Carlotta street,
Artmon, NSW 2064,
Australia
Tel. 1300-557-205 Australia
Tel. 09-889-2477 New Zealand
E-mail: Dmitri.I@applied-infrared.com.au
www.ophiropt.com/infrared-optics

EUROPE Ophir optronics solutions Ltd.

La chenevarie 42140
Virigneux, France
Tel. 33-9-7785 3478
Fax. 972-2-5822 338
E-mail: gilles.delic@ophiropt.com
www.ophiropt.com/infrared-optics

KOREA Unetware Inc.

3F, 287-31, Jegi-dong,
Dongdaemun-gu,
Seoul, Korea 130-060
Tel. 82-(0)2-790-7830/1
Fax. 82-(0)2-790-0780
E-mail: ysmo53@unetware.com
www.ophiropt.com/jp

INDIA Alpine systems

Pul Prahladpur,
M.B. Road D-38,
New Delhi 110044, India
Tel. +91-(11)26364130
E-mail: info@alpinesystems.net.in
www.ophiropt.com/infrared-optics

www.ophiropt.com/infrared-optics | MKTG@ophiropt.com

